

# TL-2450

Size: 1/10C

> XOL – extended operating life

### Performance Data

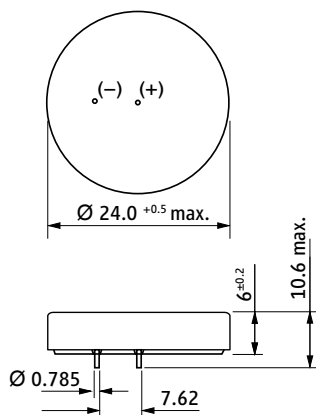
(Typical values for batteries stored at +25 °C for one year)

|                                   |                          |
|-----------------------------------|--------------------------|
| System                            | Lithium Thionyl Chloride |
| Nominal voltage                   | 3.6 V                    |
| Nominal capacity                  | 0.55 Ah                  |
| Nominal current                   | 0.5 mA                   |
| Max. continuous discharge current | 5 mA                     |
| Pulse current capability          | 10 mA                    |
| Anode surface area                | 4.3 cm <sup>2</sup>      |
| Lithium content                   | 0.2 g                    |
| Weight                            | 8.8 g                    |
| Volume                            | 2.6 cm <sup>3</sup>      |
| Temperature range                 | -55 °C ... +85 °C        |

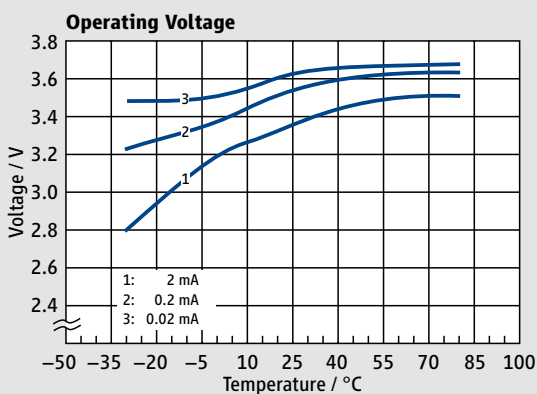
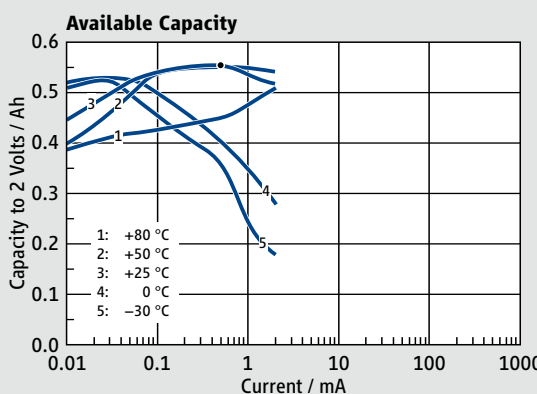
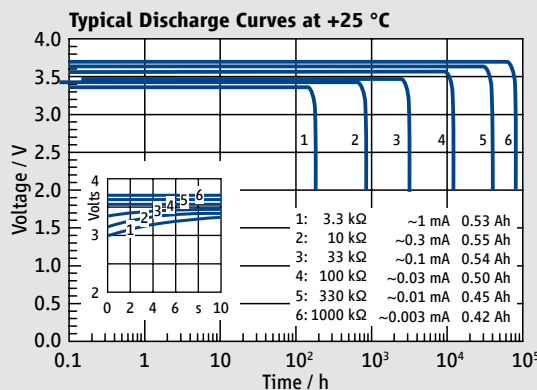
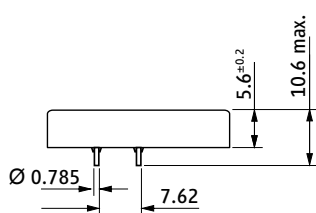


A high temperature version TLH-2450 is also available. For more information please refer to Tadiran's website.

### TL-2450 (with insulation disc)



### TL-2450 (without insulation disc)



**WARNING:**  
Fire, explosion, and severe burn hazard. Do not recharge, disassemble, heat above 100 °C, incinerate, or expose contents to water.

### Available Terminations

|           |                                |               |
|-----------|--------------------------------|---------------|
| TL-2450/P | Pins (with insulation disc)    | 11 1 13763 02 |
| TL-2450/P | Pins (without insulation disc) | 11 1 13763 22 |

### Catalogue No.

Any values given here are for informational purposes only. They also depend on actual conditions of use and are not warranties of future performance. Subject to change.