

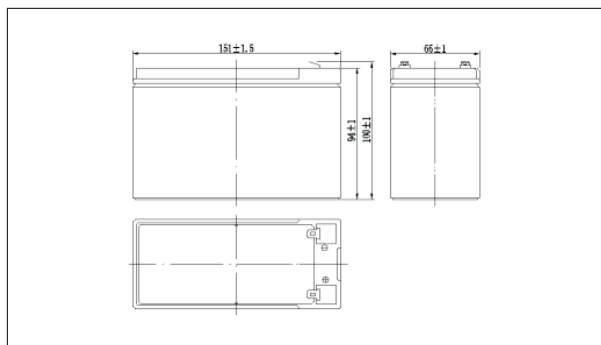
NP12-5.5Ah 12V5.5Ah

● Specifications

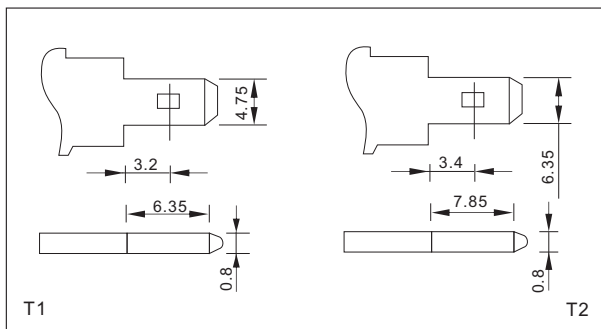
Nominal Voltage		12V
Rated capacity (20 hour rate)		5.5Ah
Dimensions	Length	151±1.5mm(5.94inch)
	Width	65±1mm(2.56inch)
	Height	94±1mm(3.70inch)
	Total Height	100±1mm(3.94inch)
Approx. Weight		1.85kg(4.08lbs)±4%



● Outer dimensions (mm)



● Terminal Type (mm)



● Characteristics

Capacity (25°C)	20HR(10.5V)	5.5Ah
	10HR(10.5V)	4.9Ah
	1HR(9.60V)	3.0Ah
Terminal type		T1/T2
Internal resistance (Fully charged, 25°C)		Approx. 37m Ω
Capacity affected by temperature (20HR)	40°C	102%
	25°C	100%
	0°C	85%
	-15°C	65%
Self-discharge (25°C)	3 months	Remaining Capacity:91%
	6 months	Remaining Capacity:82%
	12 months	Remaining Capacity:65%
Nominal operating temperature		25°C ±3°C(77°F ±5°F)
Operating temperature range	Discharge	-15°C~50°C(5°F~122°F)
	Charge	-10°C~50°C(14°F~122°F)
	Storage	-20°C~50°C(-4°F~122°F)
Float charging voltage(25°C)		13.50 to 13.80V Temperature compensation: -18mV/°C
Cyclic charging voltage(25°C)		14.50 to 15.00V Temperature compensation: -30mV/°C
Maximum charging current		1.65A
Maximum discharge current		82.5A(5 sec.)
Designed floating life(20°C)		5 years

● Construction

Component	Positive plate	Negative plate	Container	Cover	Separator	Electrolyte	Safety valve	Terminal
Raw material	Lead dioxide	Lead	ABS	ABS	AGM	Sulfuric acid	Rubber	Copper

● Constant Current Discharge Characteristics Unit:A(25°C,77°F)

F.V/Time	5min	10min	15min	30min	60min	2h	3h	4h	5h	10h	20h
9.60V	18.2	11.5	9.02	5.08	3.12	1.90	1.31	1.09	0.92	0.50	0.27
9.90V	17.7	11.2	8.80	4.98	3.08	1.89	1.31	1.08	0.92	0.50	0.27
10.2V	16.9	10.7	8.47	4.83	3.00	1.87	1.30	1.07	0.91	0.50	0.27
10.5V	16.2	10.3	8.19	4.71	2.94	1.84	1.29	1.07	0.91	0.49	0.27
10.8V	15.3	9.70	7.75	4.54	2.85	1.80	1.25	1.03	0.88	0.48	0.26

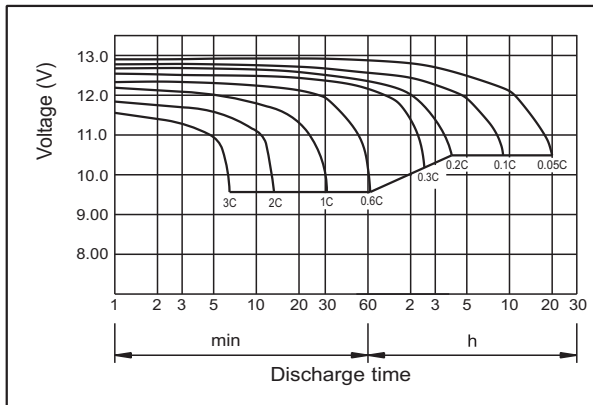
● Constant Power Discharge Characteristics Unit:W(25°C,77°F)

F.V/Time	5min	10min	15min	30min	60min	2h	3h	4h	5h	10h	20h
9.60V	203	130	103	58.2	36.2	22.2	15.6	12.9	11.0	6.02	3.23
9.90V	197	126	100	57.1	35.6	22.1	15.5	12.9	11.0	6.00	3.21
10.2V	189	121	96.6	55.3	34.7	21.9	15.4	12.8	10.9	5.97	3.20
10.5V	181	116	93.3	54.0	34.0	21.6	15.3	12.7	10.8	5.93	3.18
10.8V	171	109	88.4	52.0	33.0	21.0	14.8	12.3	10.5	5.82	3.12

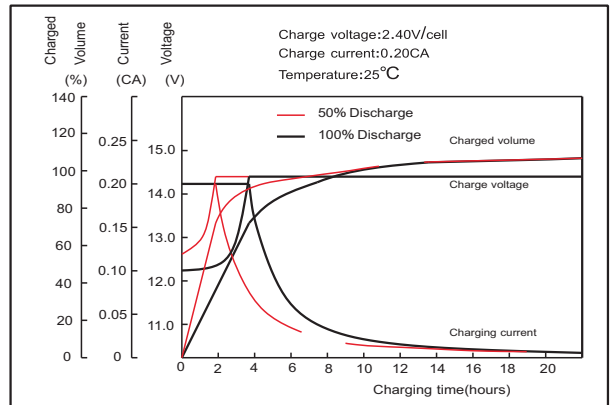
Note: The above characteristics data can be obtained within three charge or discharge cycles.

NP12-5.5Ah 12V5.5Ah

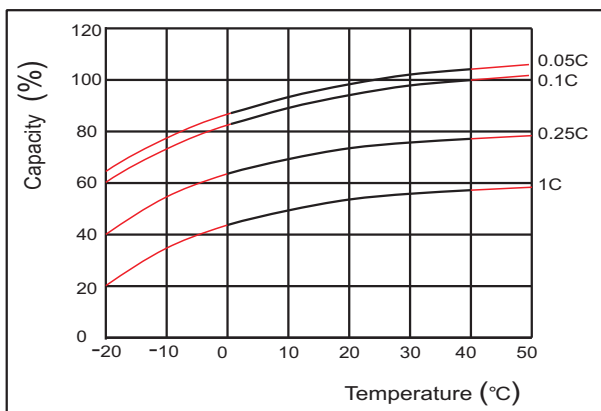
Discharge characteristics(25°C)



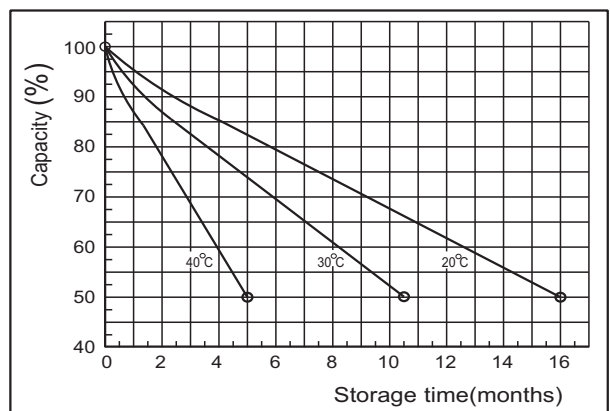
Charging characteristics (25°C)



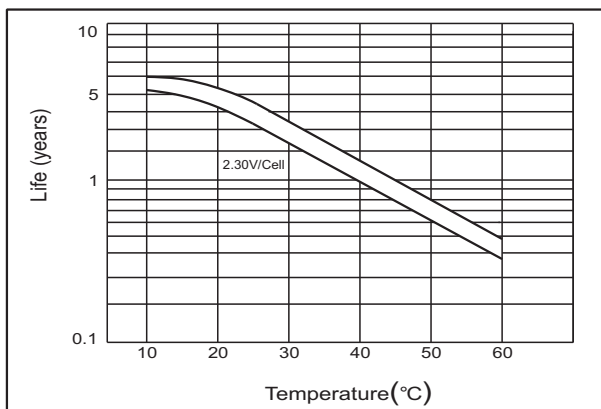
Effect of temperature on capacity



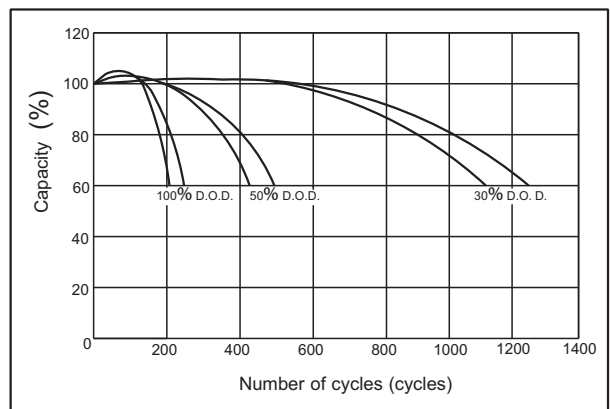
Self-discharge characteristics



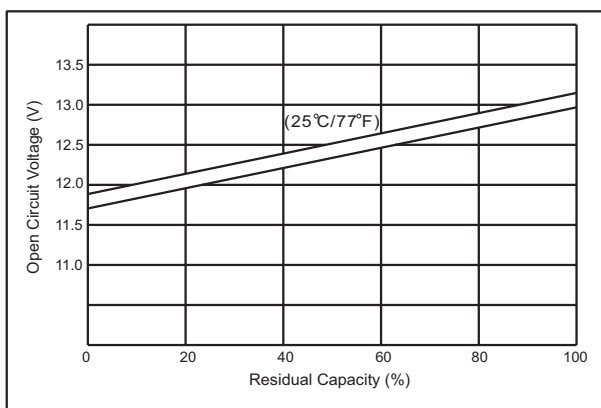
Floating life on temperature



Cycle life on D.O.D(25°C)



The relationship for OCV and Capacity (25°C)



The relationship for Charging voltage and Temperature

